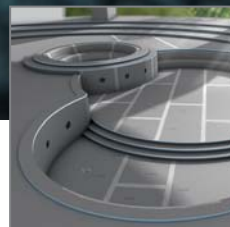


Spa and wellness projects

Expertise in advice, manufacturing and on-time delivery!





As a master tiler, Helmut Wedi had great ambitions when he established the company, wedi GmbH, in 1983: developing premium, practical solutions for trade which deliver real added value for tradesmen in their daily work. Over the last 30 years, a philosophy has developed out of this ambition which is now continuously pursued by the second generation, Stephan Wedi.

Construction and renovation work today means much more than wedi's famous building boards. wedi has become a premium brand in constructing bath and wellness facilities, and more particularly for design elements, spa and wellness projects and building systems as well as numerous services in the sales support sector and application technology.

Building systems

- wedi building board solutions
- wedi floor-level showers
- wedi laying systems

Design elements

- wedi Sanbath – wash stands, showers and bath tubs
- wedi Fundo – design showers, floor and wall elements
- wedi Moltomoro – modular shower wall system
- wedi Sanoasa – loungers and benches

Spa and wellness projects

- Development of ideas and exchange with architects and developers
- Customised system manufacturing
- Innovative and modular complete systems
- Efficient networking in all disciplines
- Advice and technical support also on site

» In project business, today you will receive more than ever «

» Extensive range of services from P.2



» Intelligent systems from P.8

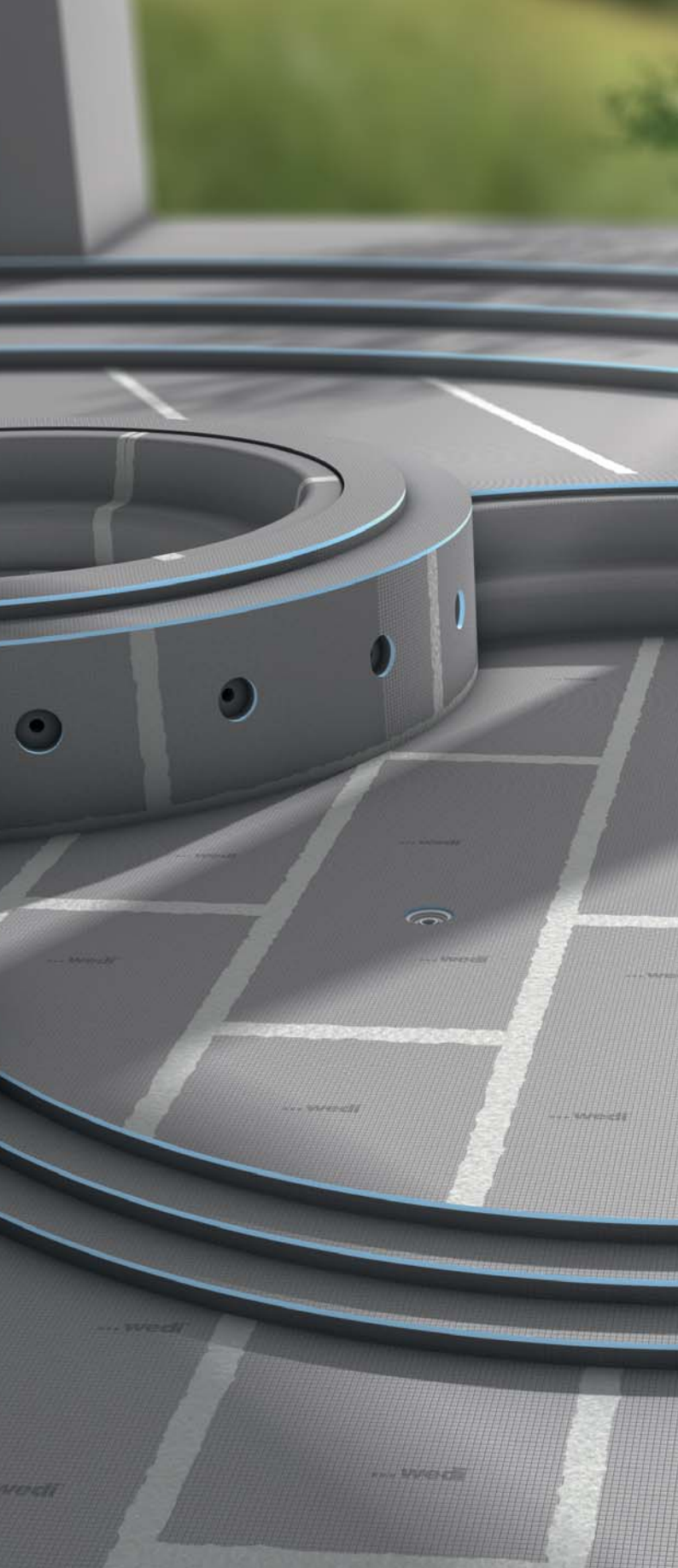
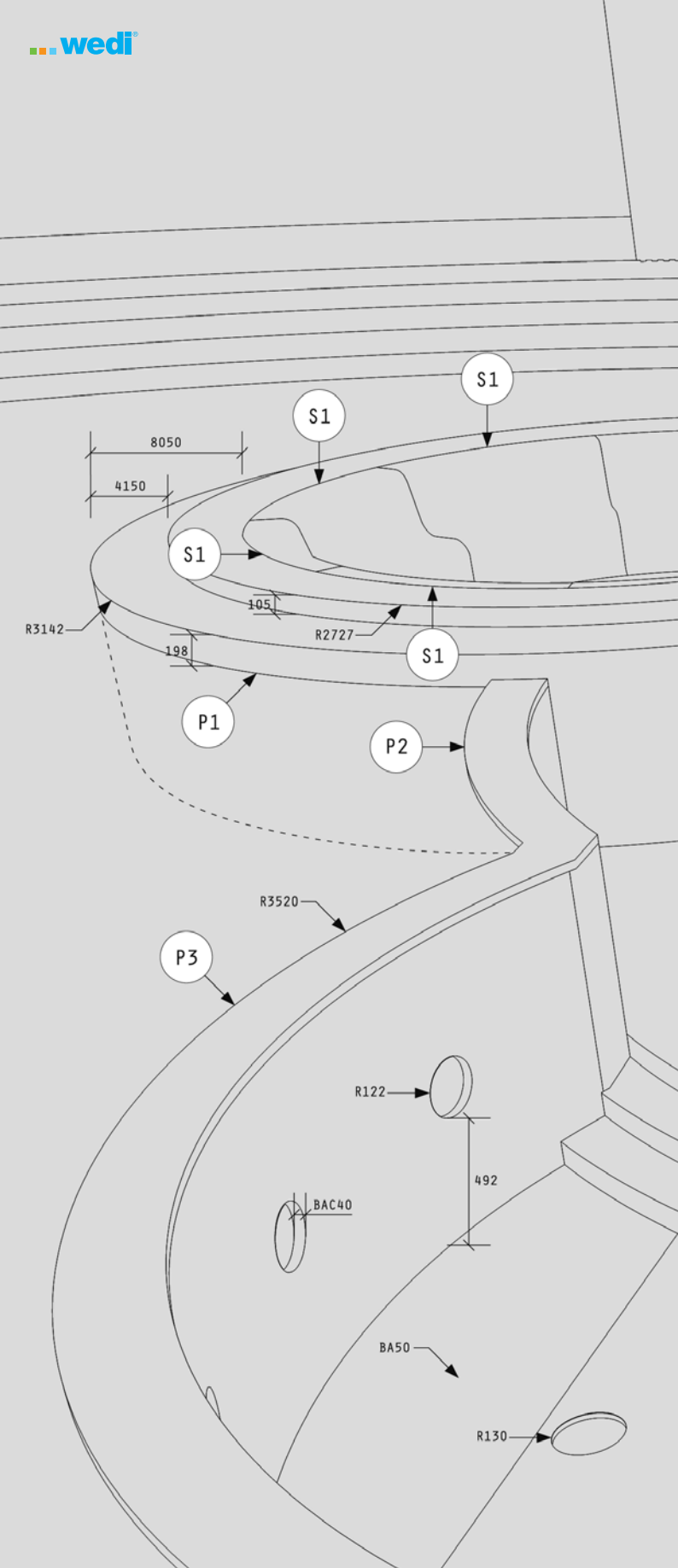


» Project expertise from P.22



» Value added and synergies from P.30





Design and planning

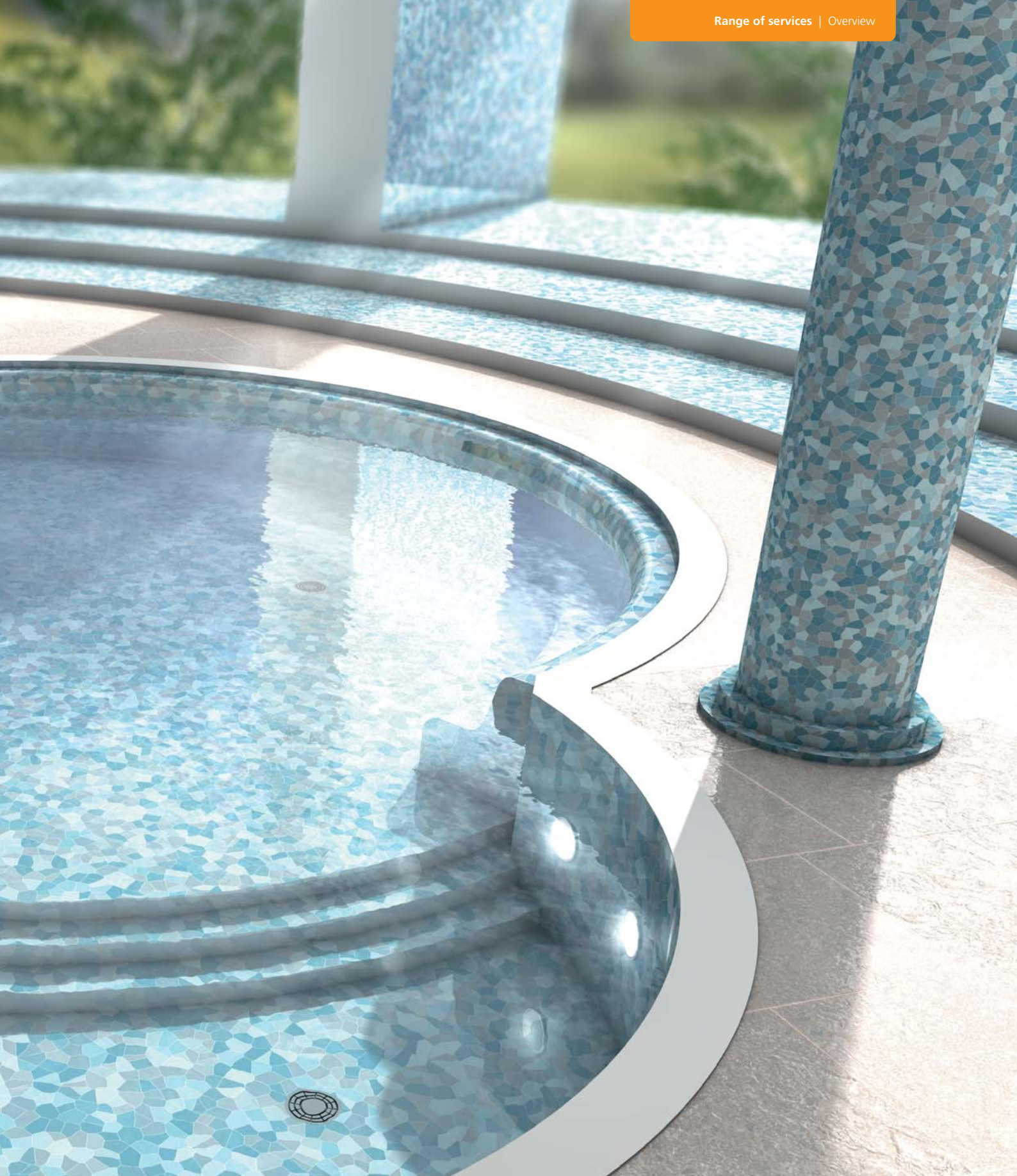
- Project planning
- Design planning
- Technical interface advice



Manufacturing components

- Approval process
- Production scheduling
- Manufacturing of components





Installation at the construction site

- Assembly support (where required)
- Components and Technical preparation
- Applying complete surfaces



Expertise from just one source

wedi is right at your side as a key point of contact for all questions during every stage of the project.

» Commercial Spa

Whether hotel showers, fitness centres or wellness clubs – we create divine spa facilities especially for commercial use where the facilities are frequently used by different customers.



» Renovation

We are able to modernise all kinds of private and commercial bathrooms using professional, clean and, above all, quick renovation.



» From hotel showers to complete wellness oases «



» Private Spa

From advice to the generation of ideas to design, we create individual wellness landscapes for your own four walls.



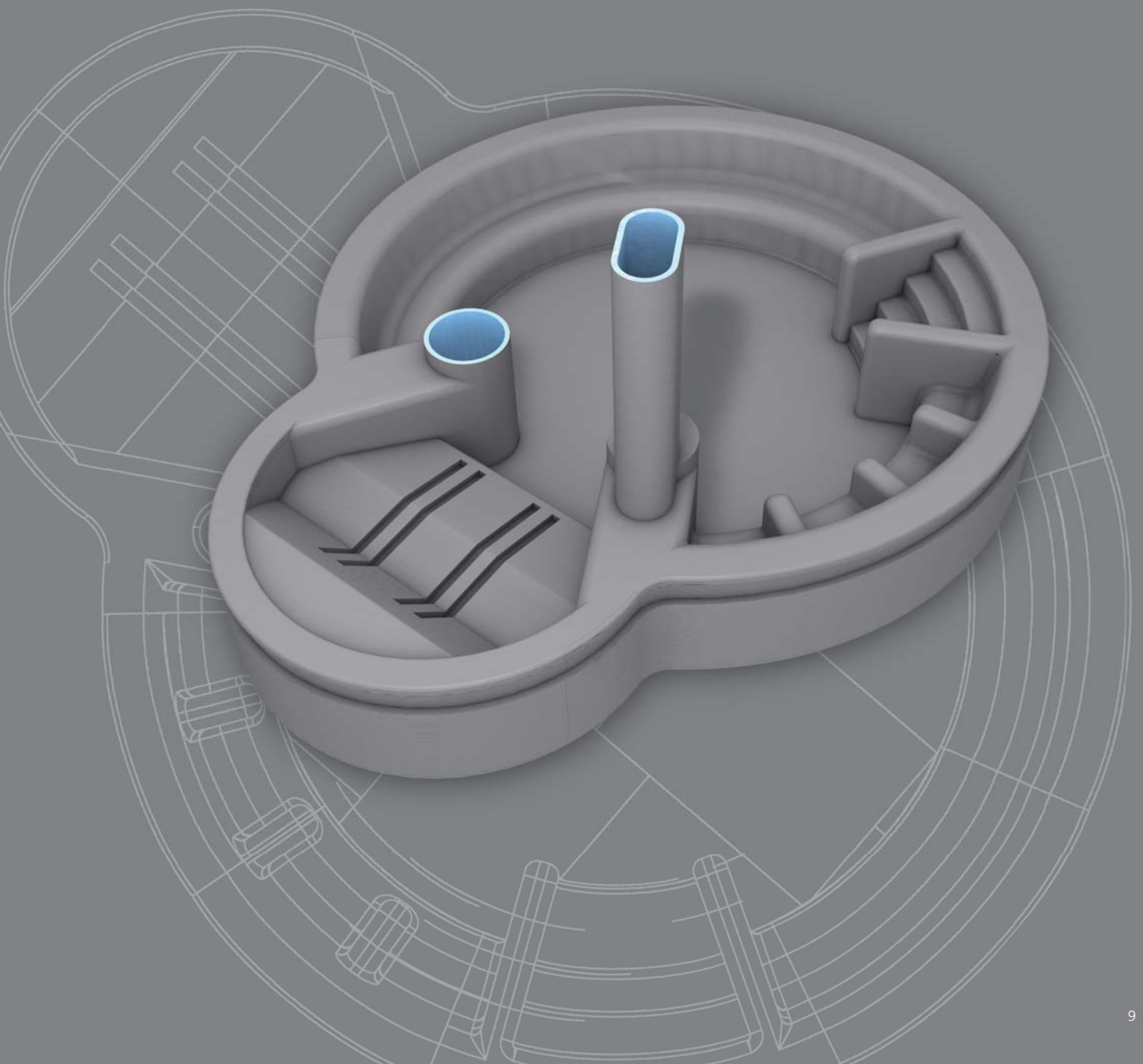


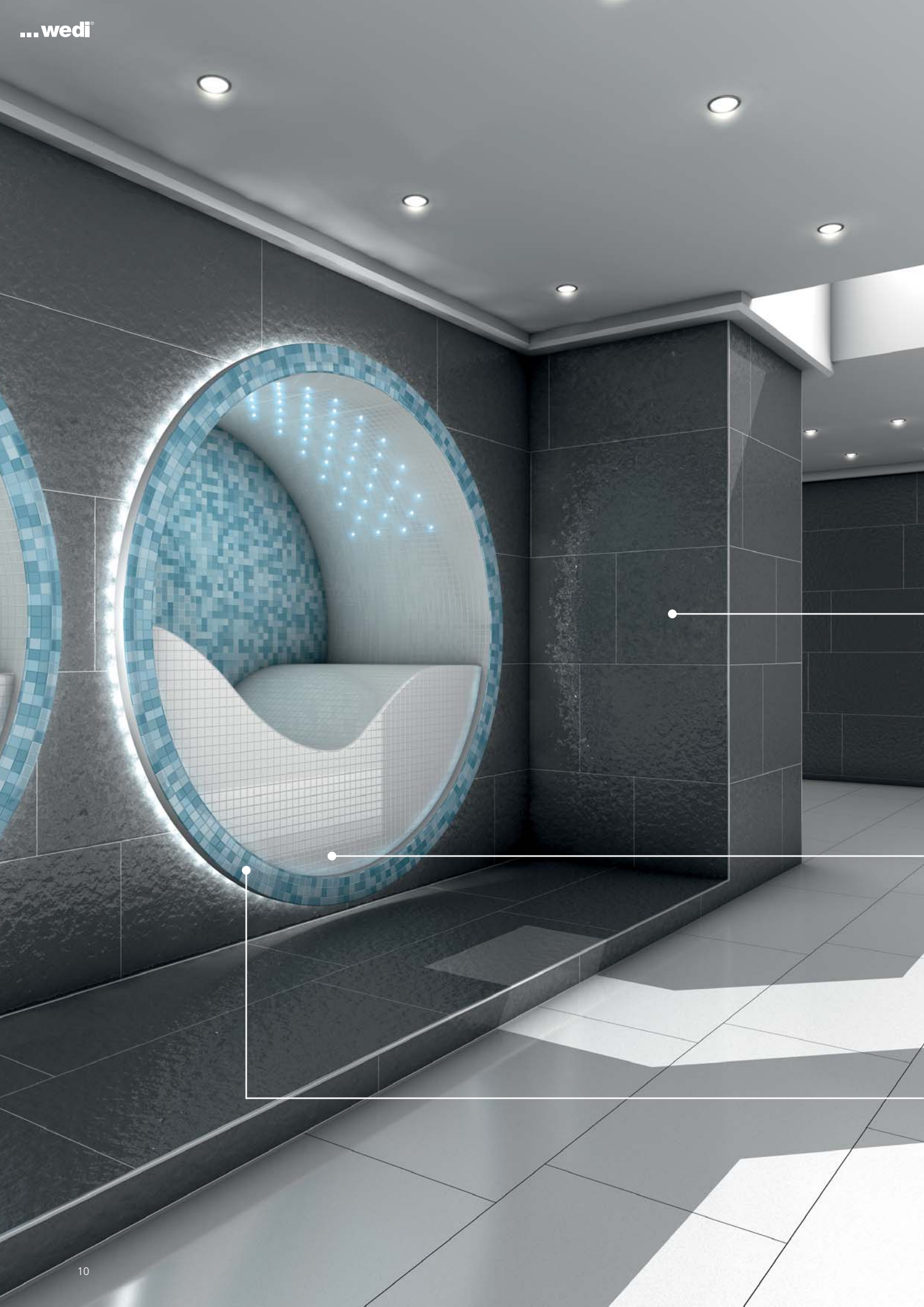
“My experience of wedi: intelligent product systems with a high proportion of pre-installed features ensures that deadlines are always kept to.”

Sabine F. Client

- Basic products
- Individual products
- Plug & Play systems

» Intelligent systems «





» Higher quality, lower cost and reduced risk «



» Quality products can be combined with secure systems «

Basic products

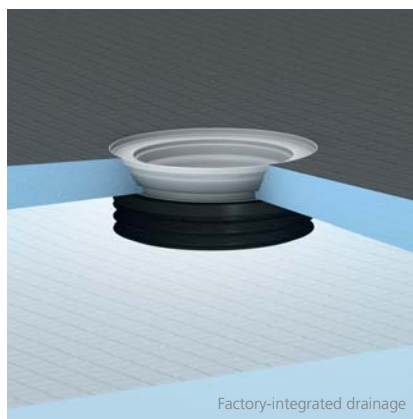
The extensive range of wedi basic products has been of the highest quality for over 30 years. From tried and tested wedi building board that is 100% waterproof, to the premium shower system and straight wall segment, we provide pre-fabricated products for building projects quickly and without complication. All system components are designed to work perfectly together and guarantee an optimal result.



System components that are designed to work perfectly together

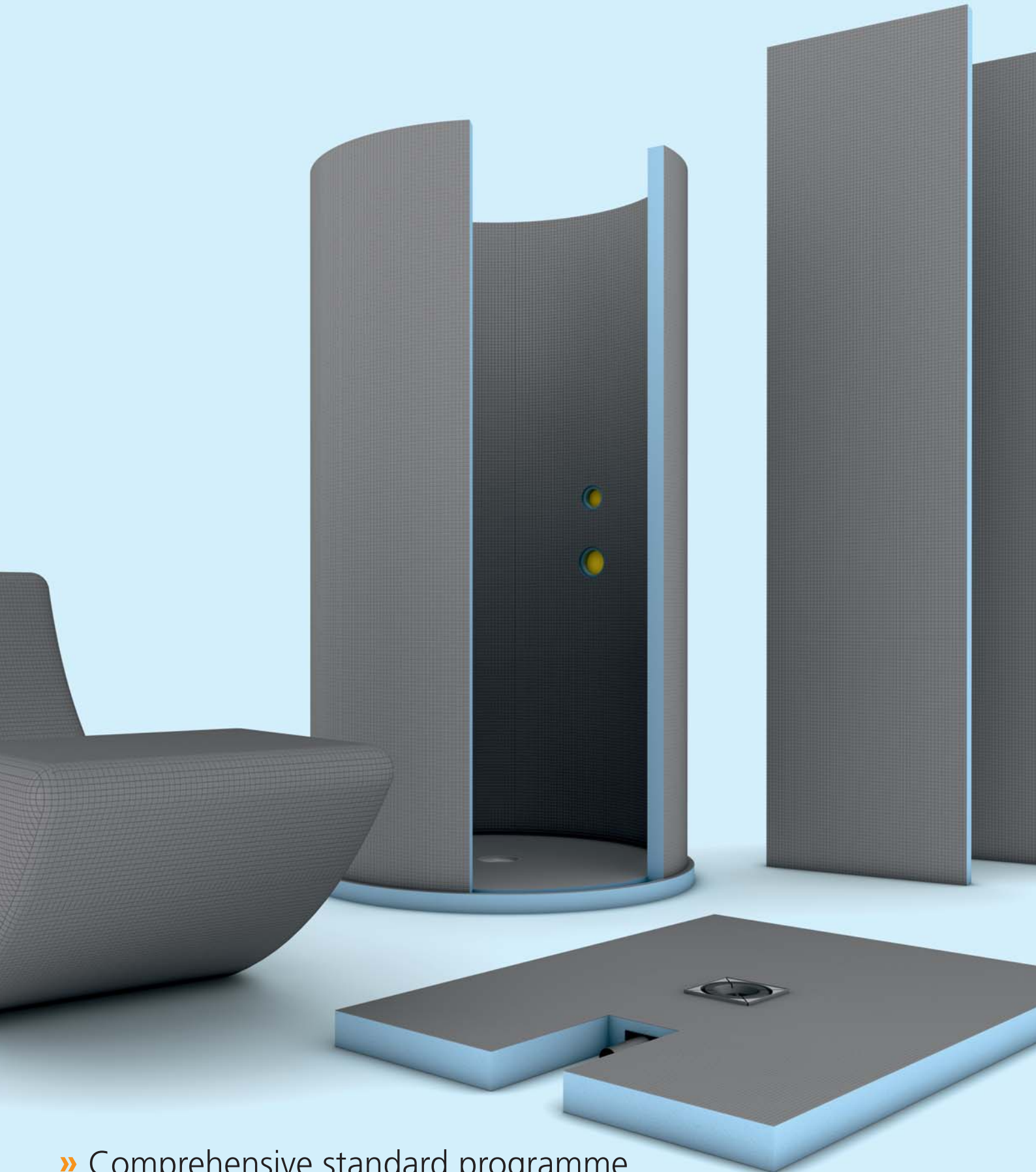


100% impervious only with wedi 610



Factory-integrated drainage





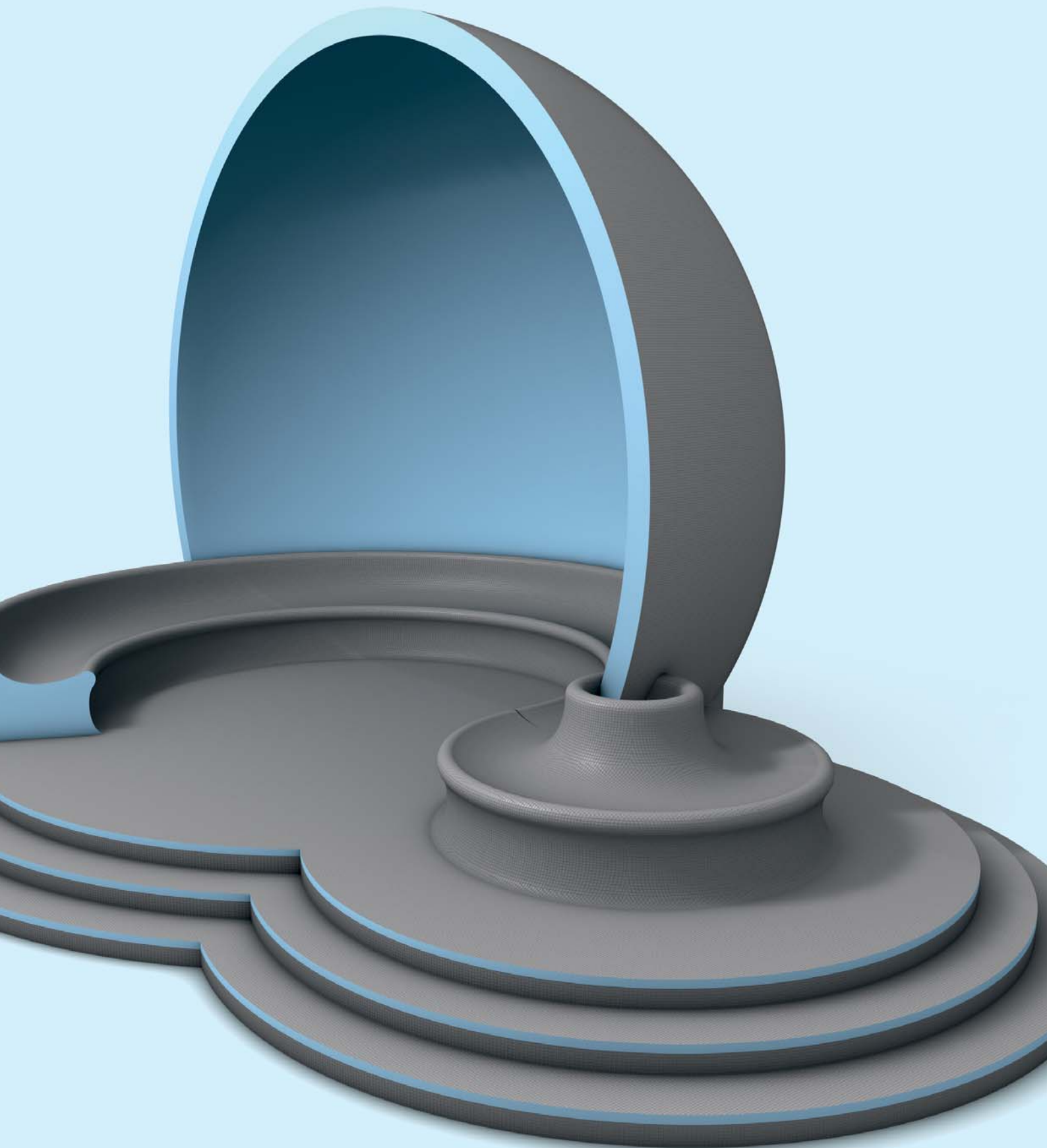
- » Comprehensive standard programme
- » Quality with 30 years practical experience
- » Modules can be combined with manufacturer's warranty

» Custom-made products with unlimited design range «

Individual products

Thanks to wedi custom-made products, making wellness oases just as you imagined them doesn't have to remain a dream. Regardless of how complex your project is – there are no limits to your creativity when it comes to design. Each item is manufactured at our factory according to the building specifications so that the installer/system builder can carry out the final assembly quickly on site.



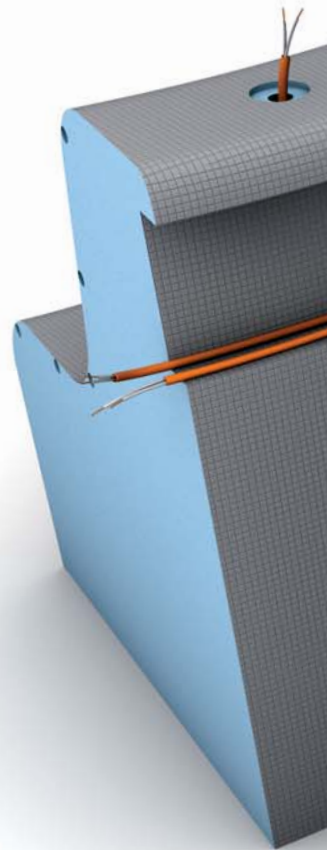


- » Unconstrained design
- » Produced individually in the factory
- » Installation time is reduced

» Completely reliable pre-installed produced modules «

Plug & Play systems

wedi Plug & Play systems provide everything in one. They are not only individually produced to comply with design requirements but observe the technical situation on site at the same time. Whether it's electrical wiring, heating performance or water connections, all desired extras are already integrated so that the system can not only be installed in record time but is able to be used or further processed immediately. The result is obviously higher quality in overall performance.



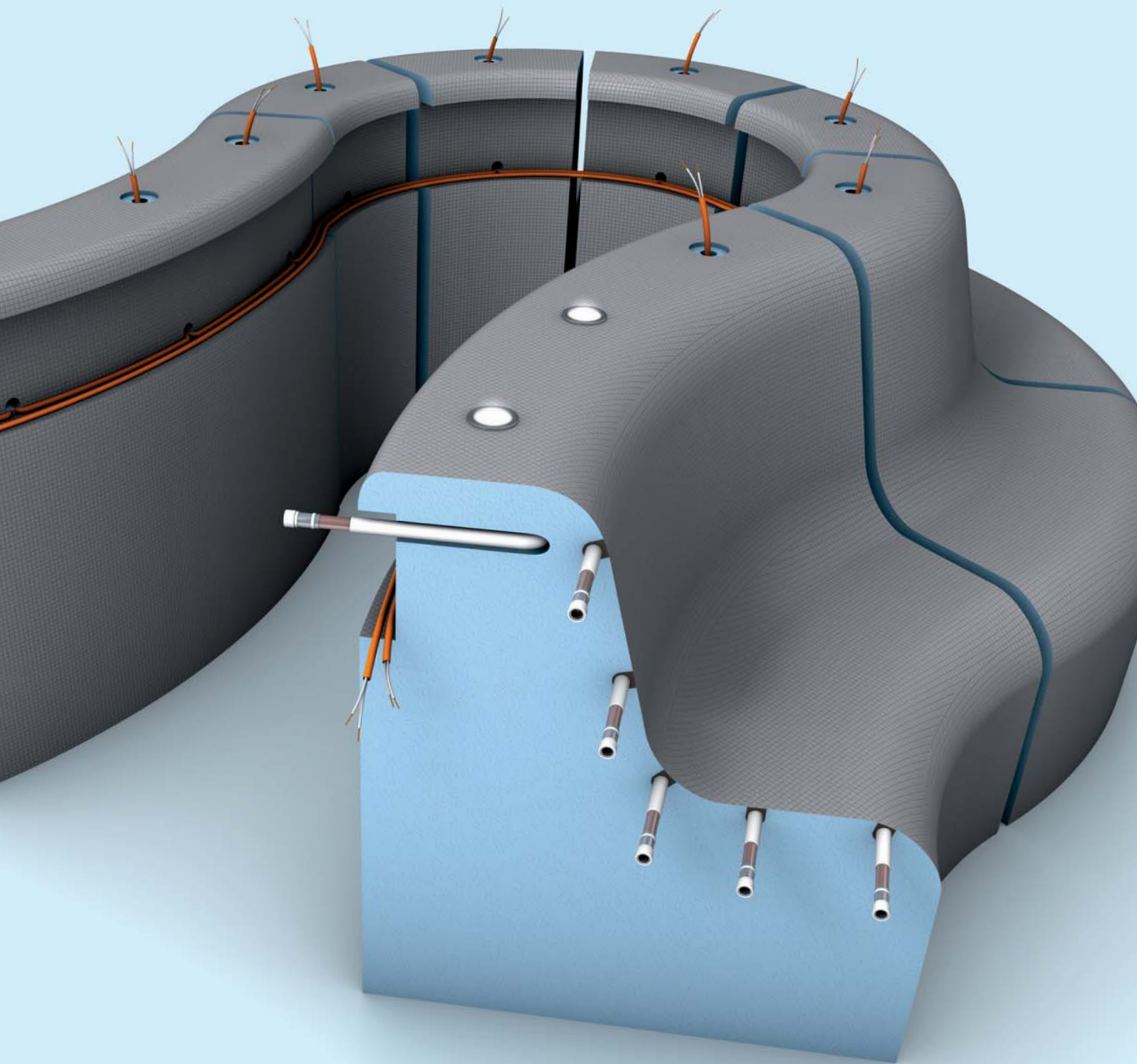
Fibre optics and shower panels/rain showers



Roof element with LED spotlight



Steam outlet nozzle and drainage system

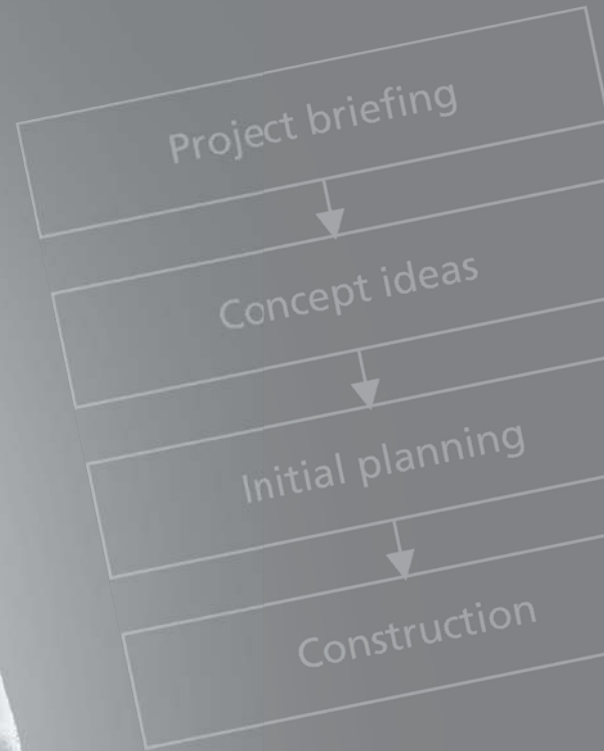


- » Simple, quick and safe to install
- » Higher quality in overall performance
- » Risk potential and costs reduced



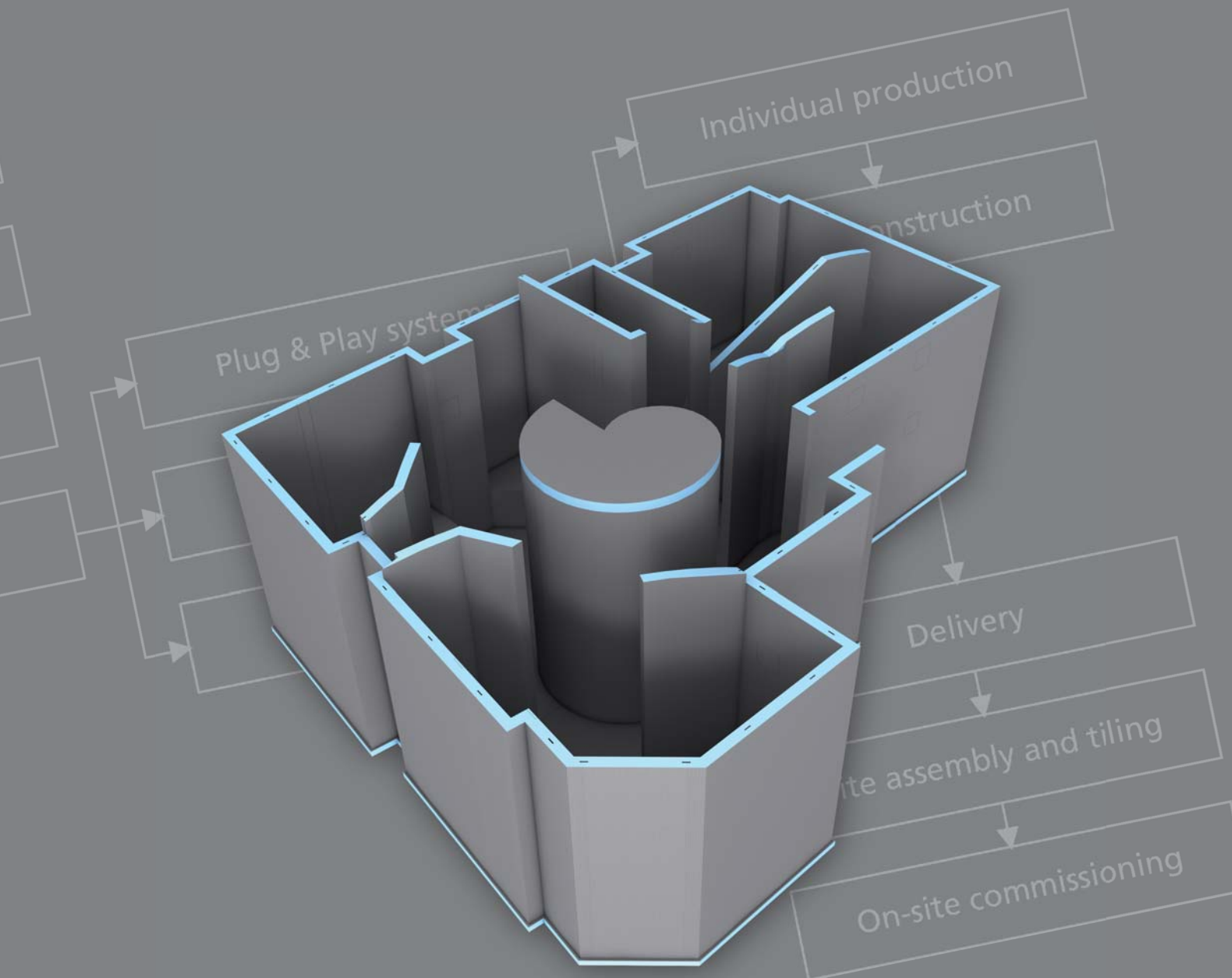
“When it comes to projects, wedi is a partner who I can completely rely upon. My contacts are creative and always reliable, so my projects are always a success.”

Michael G. Architect



- Technical detailed planning
- Construction ideas
- Consultation services
- Network coordination

» Project expertise «





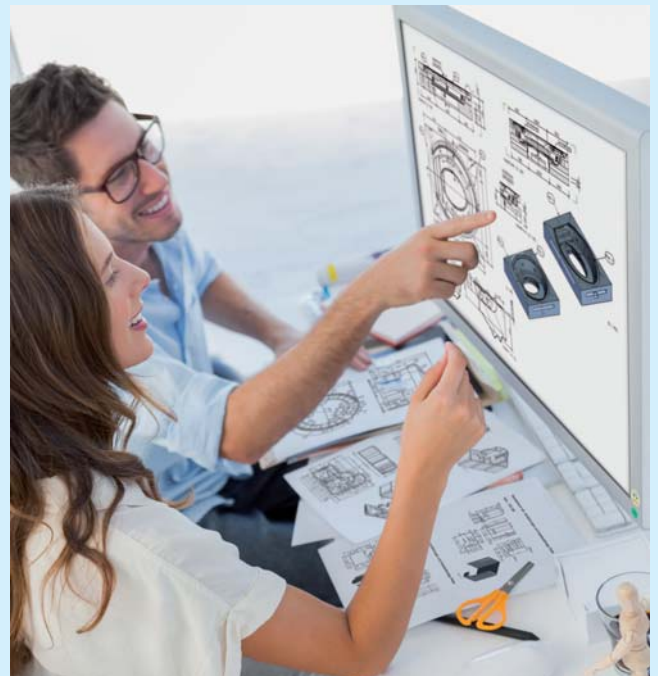
» 1. Project briefing

At the beginning of each project there is an idea. Taking in this idea, giving it a concrete form, checking the technical feasibility and providing support in planning additional measures – this is our task.



» 2. Conceptual ideas and first planning stages

Well planned is half done. We integrate building elements, shower technologies, drains and the necessary supply pipes into the customers' design drafts.



» 3. Interface construction

Using the finished planning designs, we create individual CAD designs which not only allow us to make a highly detailed visualisation but also to create a standard for all of the elements that need to be produced.

» 4. Individual production

After quotation, receipt of the order and approval, we manufacture the wellness object in our modern production facilities with the highest level of precision.



» 5. Test construction

Each item produced is constructed in our workshops for testing. This way, we guarantee that items fit and function perfectly.





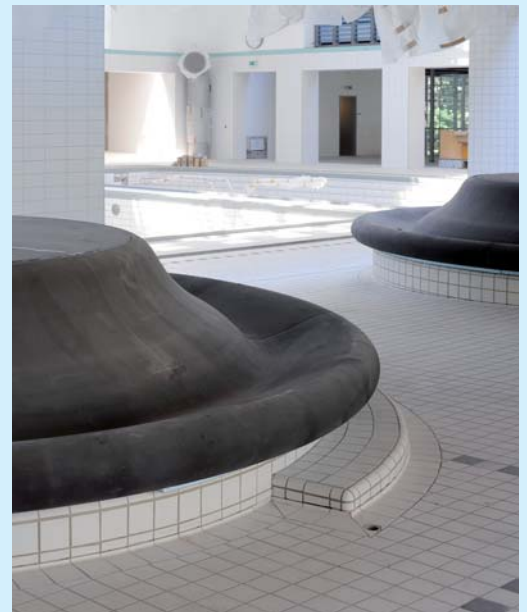
» 6. Delivery

Thanks to our own wedi logistics company we deliver all elements produced by us, reliably and on time.



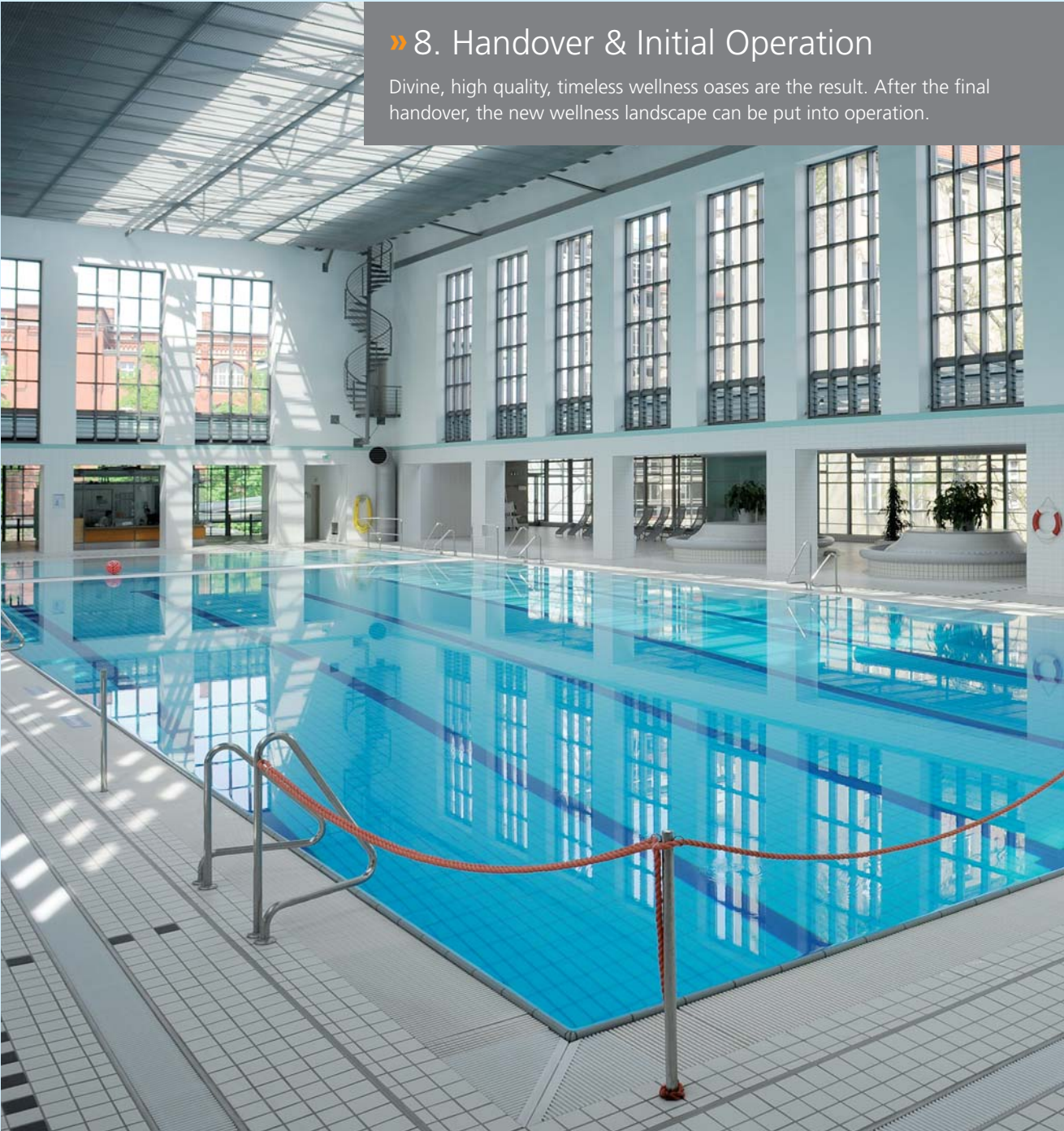
» 7. Installation & Tiling

Qualified installers/system builders assemble the wellness system directly on site and are thus available with advice and support at any time. Where required, we offer assembly support. Tiling can be done immediately after construction.



» 8. Handover & Initial Operation

Divine, high quality, timeless wellness oases are the result. After the final handover, the new wellness landscape can be put into operation.





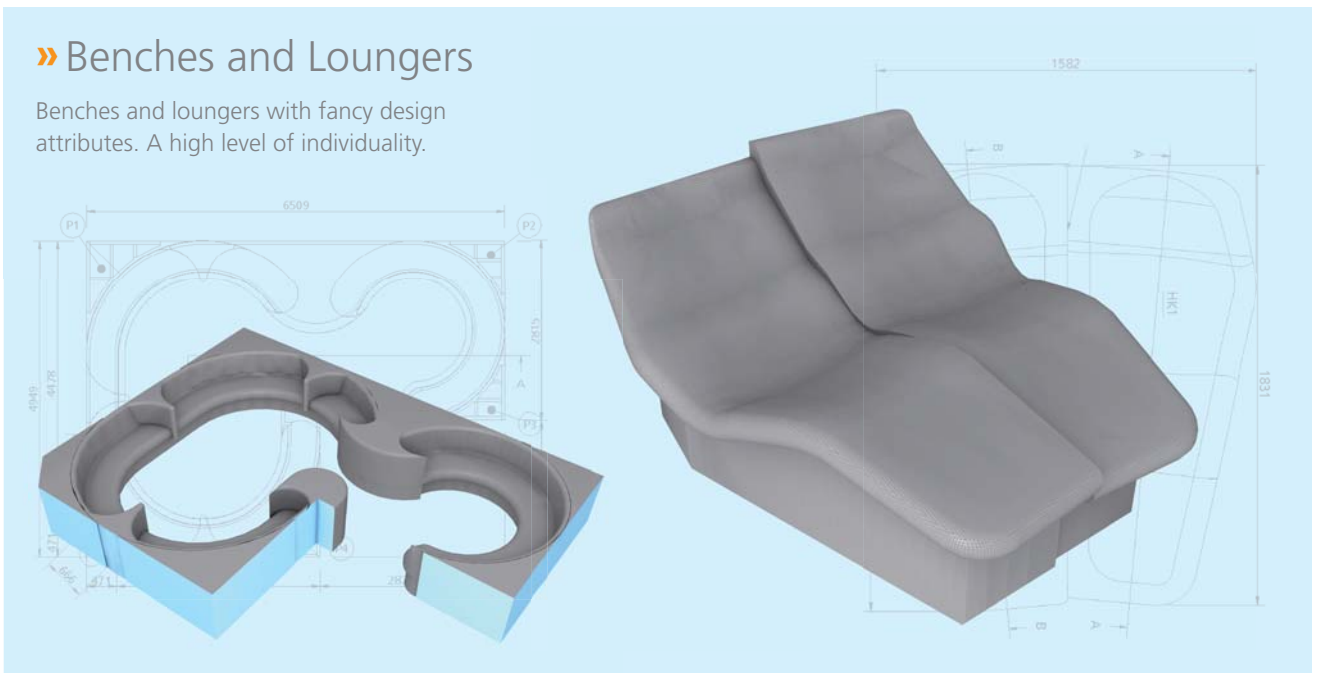
» Whirlpools & Swimming pools

High-quality moulded parts, whirlpool facilities and swimming pools for both private and commercial use. Technical integration and seals are to be installed by the customer.

» Limitless ideas designed from concept to completion «

» Benches and Loungers

Benches and loungers with fancy design attributes. A high level of individuality.



» Experienced contacts during every project phase «

» Construction team

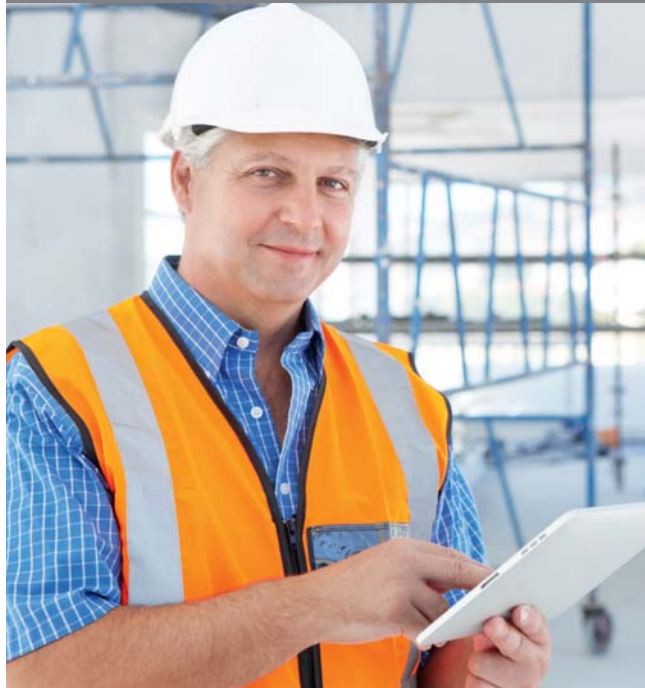
From individual items through to complete wellness landscapes, the highly qualified employees in the wedi construction team, with their many years of experience, facilitate design solutions for every requirement.





» Application technology team

wedi's concept of full service means that our dedicated application technicians are right by your side to offer help and advice, supporting you during the installation process and providing on-site expertise through to completion.



» Project advisor

Each project is internally monitored and coordinated by a special team of consultants. If quick decisions need to be made, the right contact person is always available to add any necessary specifications without delay.





Construction and Planning



Trial assembly in the factory



Factory installation of the pipes



Pre-tiled showers

» Bespoke solutions that meet customer specifications «

Project example: Beach clinic St. Peter Ording

Prefabricated bathroom components made from wedi materials have been delivered. By combining wall elements including reinforcements, socket mountings, pipe integration, etc. with the existing walls, a bathroom takes shape.

- » Process optimisation at the construction site
- » Reduces installation time
- » Group interface

Project:

new build/renovation

Kind of property:

beach clinic

Location:

St. Peter Ording

Products installed:

- prefabricated wall and ceiling elements
- wedi building boards in different thicknesses
- wedi Subliner Dry
- wedi 610

More information about the wedi projects can be found at www.wedi.de/en/references



“Wherever I set up my property in the world, I can trust wedi to handle my project in a way that works economically. Wedi always carries out first-class work both in the decision-making process and when carrying out the project.”

Ferdinand K. Investor



- Cooperation between departments to increase performance
- International examples as references
- Added value for target audiences

» Added Value & Cooperation «



» Cooperation between decision- making and trade «

» Decision-making network

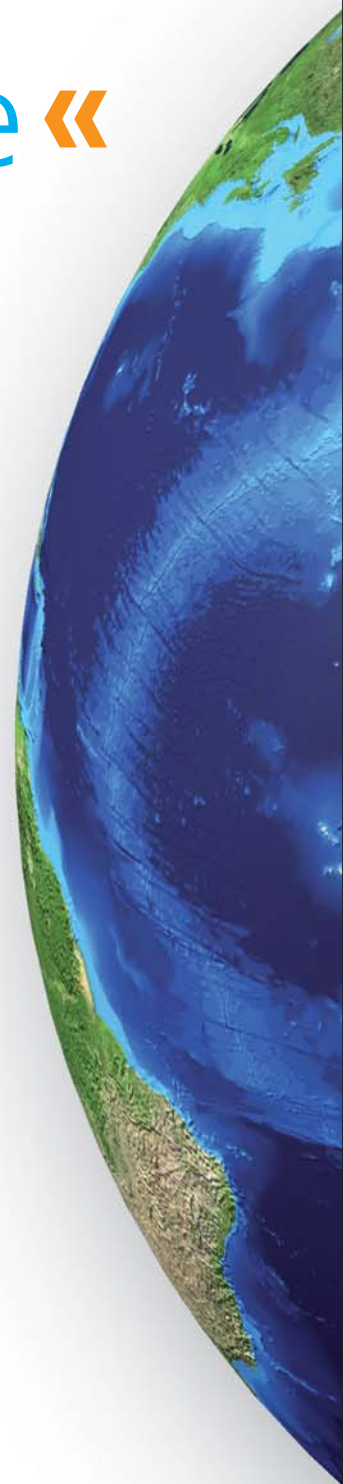
As a premium system manufacturer with years of experiences in wellness facilities and items, wedi has a large network of affiliated companies, facility operators and architects at its disposal. We always find the right specialists for the project, those who are most familiar with what is needed for the project and with whom we work together to develop the most economical solutions. This means that we can maintain a close relationship with the top decision-makers and therefore avoid possible sources of errors and long construction periods.

» Fulfilment network

Spa and wellness facilities are of increasing interest to investors from all over the world, even in distant countries. As a system provider, it is therefore even more important to have a fully-developed realisation network on site. Wedi's global network allows a time and cost efficient way of realising projects. Whether it's component distributors, system builders or servicing companies for carrying out maintenance, our network is diverse and ready to get straight to work.

» Qualified W.I.P. Partner

wedi lives up to what is expected of a premium brand not only due to its high-quality products and systems, but due to its holistic concept for the target group: contractors. Specialist firms that have completed specific training to qualify as authorised and certified wedi firms, are W.I.P. partners and work with the wedi System Guarantee.





Investor

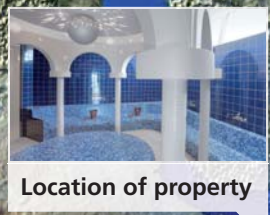
Operator

Architect

Location of property

System builder

Fulfilment network



» Setting a good example «





» The Hofbad in The Hague (NL)

Property description:

wedi produces different waterproof design elements such as areas to sit, design features and underwater steps that fit with the natural structure of the building. These items are assembled into natural, perfectly designed features and manipulated using a specified plan.

Specifications:

- Shaped seating areas to separate pools
- Whirlpool with built-in steps
- Underwater steps connecting two pool areas
- Water fountains in various sizes
- Individual islands with springs

Kind of property: Swimming pool

Space: Fun pool
Wellness area

Location: The Hague, NL

Contracting body: Hague local authority

Basic products: Seating areas
Steps

Individual products: Seating areas
Pool barriers

Plug & Play systems: Whirlpool
Water fountains
Island with springs



» Le Buch, Hamam



» Nautiland, Swimming pool





» Leaunée, Hamam



» Private town house (doctor's villa)

Summary of example references

» Hotels

Maritim Hotel / Berlin, DE
 Hotel Sheraton / Frankfurt, DE
 Hotel Alma Harbour / Dusseldorf, DE
 Schlosshotel Rheinfels / St. Goar, DE
 Hotel Bella Tola / Zermatt, CH
 Hotel Mövenpick / Prague, CZ
 Schloss-Hotel Hertelendy / Kutas, HU
 Kempinski Hotel / Budapest, HU
 Hotel Ilma Limone / Lake Garda, IT
 Hotel Bozen Bozen / Tyrol, IT
 Hotel Kolb Lifestyle / Langeoog, DE
 Hotel ÜberFluss / Bremen, DE
 Chelsea Pier / New York, USA
 and many more

» Bathrooms & Wellness

Tropicana / Stadthagen, DE
 Vita Park / Stuttgart, DE
 Billebad / Hamburg, DE
 Prinzregentenbad / Munich, DE
 Aquadrom / Bochum, DE
 THERME / Bad Wörishofen, DE
 Le Buch Hamam / NL
 Veluwse Bron / Emst, NL
 Nautiland / Haguenau, FR
 Hofbad / The Hague, NL
 Hamam Leaunée / Dordrecht, NL
 and many more.

» Beauty & Fitness

Injoy med / Grimma, DE
 Futur Fitness / Gummersbach, DE
 Kaiser Center / Hanover, DE
 Schönheitssalon-Holzauer / Essen, DE
 Fitnesscenter / Lugano, CH
 and many more.

» Medicine

Paracelsiusklinik / Ostfildern, DE
 Privatklinik Sonnenfeld / Bad Wiessee, DE
 Praxis Wonneberger / Bonn, DE
 Kurmittelhaus / Bad Frankenhausen, DE
 Colberg Kliniken / Bad Colberg, DE
 Medical Center Duisburg / Duisburg, DE
 Clinic de Gland / Gland, CH
 Pflegeheim Dibelius / Berlin, DE
 Strandklinik / St. Peter Ording, DE
 u.v.m.

» 5 promises for your project that you can rely on «

1. Quality Systems

wedi spa and wellness systems provide the very best premium quality. Whether it's basic products, particular specifications or Plug & Play systems, we guarantee complete protection from moisture, effective thermal insulation and the highest functionality for every project.

2. Construction Period that you can schedule

Factory, prefabricated individual components dramatically reduce assembly costs on site. This means that construction times can be scheduled and fulfilment quality is increased at the same time.

3. Diversity in Design and Technology

Despite their high quality, wedi systems hardly have any limits in terms of shape or design. Design ideas of all types can thus be implemented almost without limits and without the loss of quality or warranty.

4. Removing liability risk

On-site, central management of the trades together with prefabrication of the wedi complete modules in the factory, e.g. wedi Plug & Play systems, do not only reduce possible sources of error on site, but the liability risk is also removed from all service providers involved in the project.

5. Efficient Project Management

Each step of the project is checked for economic efficiency and technical feasibility by our qualified employees. In this way, we guarantee that every project is not only created to use the time productively, but is also cost-effective.



» We can't wait to take up your challenge

As a system provider and premium brand, we place great emphasis on quality: quality products and systems, quality work from our employees, quality project management as well as quality in our communication. Whether private or commercial customers, processors, architects or investors, we guarantee complete professionalism in every project and look forward to taking up the challenge that you set us.



- Australia
- Austria
- Belgium
- Bosnia Herzegovina
- Canada
- Croatia
- Czech Republic

- Denmark
- Estonia
- Finland
- France
- Germany
- Great Britain
- Greece

- Hungary
- Iceland
- Ireland
- Italy
- Latvia
- Lithuania
- Luxembourg

- Netherlands
- Norway
- Poland
- Portugal
- Romania
- Russia
- Serbia

- Slovenia
- Spain
- Sweden
- Switzerland
- Turkey
- Ukraine
- USA



wedi GmbH
 Hollefeldstraße 51
 48282 Emsdetten
 Germany

Telephone +49 25 72 156-0
 Fax +49 25 72 156-133

info@wedi.de
 www.wedi.eu

**Your direct contact in the
 wedi project department**
 projekt@wedi.de
 Fax +49 25 72 156-239

